

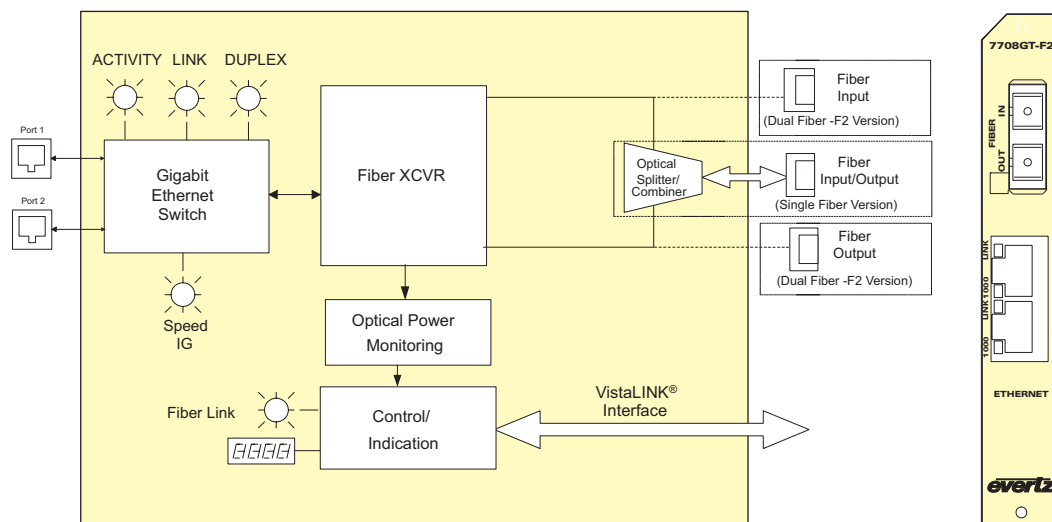


The 7708GT series Gigabit Ethernet Fiber Transceivers provide an economical method of transmitting 10/100/1000Base-T Ethernet channel over optical fiber. The transceiver is IEEE 802.3 10BASE-T, IEEE 802.3u 100BASE-TX and IEEE 802.3ab 1000BASE-TX compliant, mediates between a 10/100/1000BASE-TX segment. A pair of 7708GT transceivers permits full duplex communication over a single optical fiber or dual fiber. There is a built in two port gigabit Ethernet switch that supports a total bandwidth of 1000Mb/s. Diagnostic LEDs provide indication of power, linkage and data reception. The 7708GT series modules support jumbo frames and spanning tree protocol.

Two versions of the 7708GT allow the user to choose the optimal price / performance / features to suit a particular application. The "-F2" version is designed to receive and transmit over two different fibers and has the lowest insertion loss. This version can operate with Multi-mode or Single-mode fiber. The standard version is designed to receive and transmit on two different wavelengths (1310nm and 1550nm) over a single fiber and can operate with Single mode fiber only

## ► Features & Benefits

- Auto negotiation for 10/100/1000 speeds, half/full duplex modes
- Link status monitoring indicators
- Optional VistaLINK® enabled for remote monitoring and control
- Optical output available in 1310nm, 1550nm and up to sixteen CWDM wavelengths in the 1270nm to 1610nm range
- DWDM (ITU-T G.694.1) wavelengths available
- Supports multi-mode or single-mode fiber (contact factory for multi-mode applications)
- Fully hot-swappable from front of frame with no fiber or Ethernet channel disconnect required
- SC/PC, ST/PC or FC/PC connector options
- Jumbo frame support
- Spanning tree protocol support



## ► Specifications

### Ethernet Input/Output:

Standard:	IEEE 802.3 (10 BaseT) IEEE 802.3u (100 BaseTX) IEEE 802.3ab (1000baseTX)
Connector:	2 RJ45
Cable Requirements:	
10 BaseT:	UTP category 3, 4 or 5 cable up to 328ft/100m (2 pairs)
100 BaseTX:	UTP category 5 cable up to 328ft/100m (2 pairs)
1000 BaseTX:	UTP category 5 cable up to 164ft/50m (4 pairs)

### Optical Input/Output:

Connector:	Single Fiber version: 1 female SC/PC, ST/PC or FC/PC
Dual Fiber (F2) version:	2 female SC/PC, ST/PC or FC/PC
Input Wavelengths:	1270nm-1610nm

### Maximum Input Power:

Standard:	-1dBm
-H versions:	-8dBm
Input Optical Sensitivity:	
WDM (-w version):	-21dBm
Standard:	-23dBm
High Sensitivity (-H):	-28dBm
Output Wavelengths:	
Standard:	1310nm, 1550nm (nominal)
CWDM:	1270nm to 1610nm (ITU-T G.694.2 compliant)
DWDM:	C-Band (ITU-T G.694.1 compliant)
Output Power:	
1310nm FP:	-7dBm ± 1dBm
1310nm (-W):	-1dBm ± 1dBm
1550nm, CDWM (DFB):	0dBm ± 1dBm
DWDM (DFB):	+7dBm ± 1dBm

### Electrical:

Voltage:	12V DC
Power:	8W (Non DWDM) 10W (DWDM)

### Physical (number of slots):

350FR:	1
7700FR-C:	1
7800FR:	1

### Compliance:

Laser Safety:	Class 1 laser product Complies with 24 CFR 1040.10 and 1040.11 IEC 60825-1
EMI/RFI:	Complies with FCC Part 15, Class A EU EMC Directive

## ► Ordering Information

<b>7708GT13M-W</b>	Gigabit Ethernet Fiber Transceiver, single fiber, WDM, 1310nm DFB TX, RX on 1550nm, VistaLINK®
<b>7708GT15-W</b>	Gigabit Ethernet Fiber Transceiver, single fiber, WDM, 1550nm DFB TX, RX on 1310nm, VistaLINK®
<b>7708GT13-F2</b>	Gigabit Ethernet Fiber Transceiver, dual fiber, 1310nm FP TX & RX, VistaLINK®

For CWDM, please refer to the end of the fiber section for ordering information

<b>7708GTxx-F2</b>	Gigabit Ethernet Fiber Transceiver, dual fiber, CWDM TX, VistaLINK®
<b>7708GTxx-F2-H</b>	Gigabit Ethernet Fiber Transceiver, dual fiber, CWDM TX, High Sensitivity RX, VistaLINK®

For DWDM, please refer to the end of the fiber section for ordering information

<b>7708GTDxxx-F2</b>	Gigabit Ethernet Fiber Transceiver, dual fiber, DWDM TX, VistaLINK®
<b>7708GTDxxx-F2-H</b>	Gigabit Ethernet Fiber Transceiver, dual fiber, DWDM TX, High Sensitivity RX, VistaLINK®

**Ordering Options** Rear Plate and Fiber Connector must be specified at time of order  
Eg: Model +SC +3RU

### Rear Plate Suffix

<b>+3RU</b>	3RU Rear Plate for use with 350FR, 7700FR-C or 7800FR Multiframe
<b>+1RU</b>	1RU Rear Plate for use with 7701FR Multiframe
<b>+SA</b>	Standalone Enclosure Rear Plate

### Connector Suffix

<b>+SC</b>	SC/PC
<b>+ST</b>	ST/PC
<b>+FC</b>	FC/PC

### Enclosures

<b>350FR</b>	3RU Portable Multiframe which holds up to 7 single slot modules
<b>7700FR-C</b>	3RU Multiframe which holds up to 15 single slot modules
<b>7800FR</b>	3RU Multiframe which holds up to 15 single slot modules
<b>7801FR</b>	1RU Multiframe which holds up to 4 single or 2 dual slot modules
<b>7701FR</b>	1RU Multiframe which holds up to 3 single or dual slot modules
<b>S7701FR</b>	Standalone Enclosure