

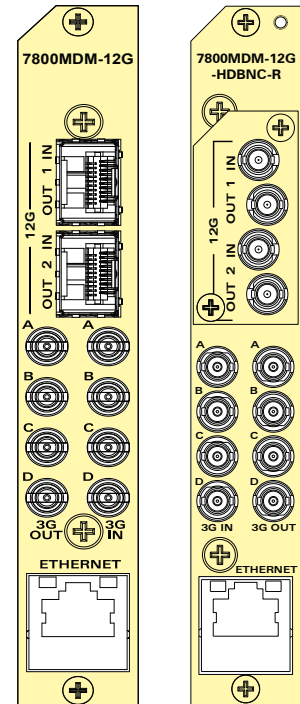
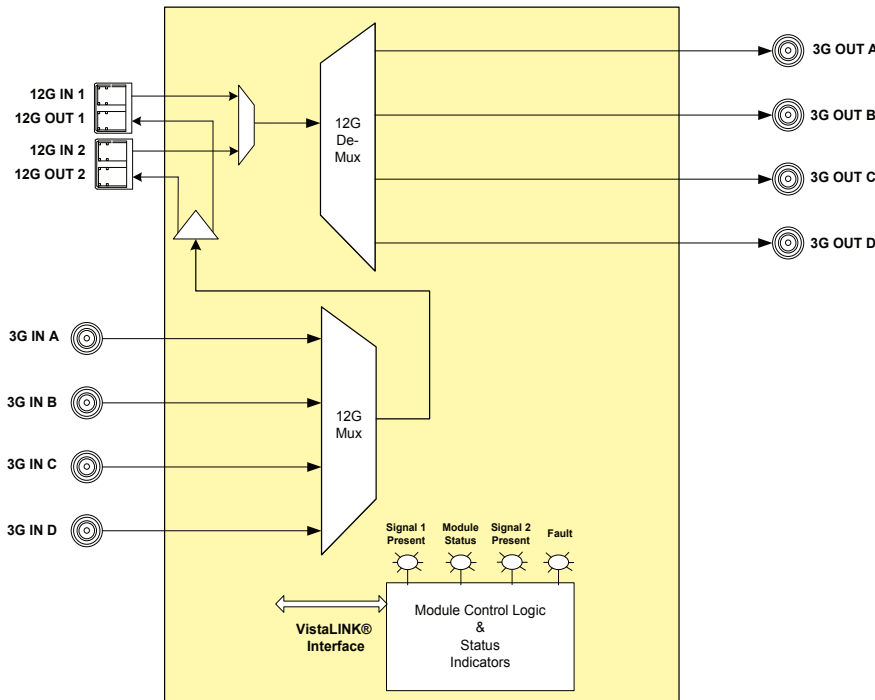
7800MDM-12G

12G to/from Quad-Link 3G Bi-Directional Converter for UHD Signals

With many UHD signals still existing as quad-link 3G, there is a real need to provide high density 12G-SDI conversions. The 7800MDM-12G is a bi-directional multiplexer/de-multiplexer for converting UHD signals between quad-link 3G and 12G-SDI. Being able to do transformations in both directions, and taking only a single slot in a 7800 series frame, provides the high density broadcasters need during the transition phase to 12G-SDI.

► Features & Benefits

- Converts between 12G (SMPTE ST 2082) SDI and Quad-Link 3G SDI
- Support for Level A and B 3G-SDI presented as both Quad-Division and 2SI UHD signals
- Bi-directional — a single card can be used to wrap a device with both inputs and outputs
- Modular and front accessible — can be hot-swapped without decabling
- High Density — bi-directional conversion on a single-slot card, 14 cards per frame
- Dual 12G-SDI input (software selectable as to source) and dual 12G outputs for signal distribution when equipped with optional second input SFP
- VistaLINK®-capable for remote monitoring, control and configuration capabilities via SNMP using VistaLINK® PRO, CP-2116E or CP-2232E Control Panels. VistaLINK® is available when modules are used with the 7800FR or 7801FR with 7800/7801FC frame controller installed.
- Web GUI for remote monitoring, control and configuration capabilities when modules are used with the 7800FR or 7801FR with 7800/7801FC frame controller installed.



► Ordering Information

7800MDM-12G	12G to/from Quad-Link 3G Bi-Directional Converter for UHD Signals (Note: SFP's for 12G I/O sold separately, see below)
7800MDM-12G-HDBNC-R	12G to/from Quad-Link 3G Bi-Directional Converter for UHD Signals with removable HD-BNC modules (SFP not required)

SFP Modules for 12G In/Out (sold separately):

SFP3TR-13-12G	Fiber transmitter/receiver SFP module, 13nm optical output
SFP3TR-12G-DIN	12G coaxial SFP transceiver, DIN 1.0/2.3 connectors

Rear Plate Suffix:

+3RU 3RU Rear Plate

Enclosures:

7800FR	3RU Multiframe which holds up to 15 single slot modules
7800FR-QT	3RU Multiframe which holds up to 15 single slot modules, low noise
7801FR	1RU Multiframe which holds up to 4 single slot modules or two dual slot modules