

7800FC

7700/7800 Frame Controller

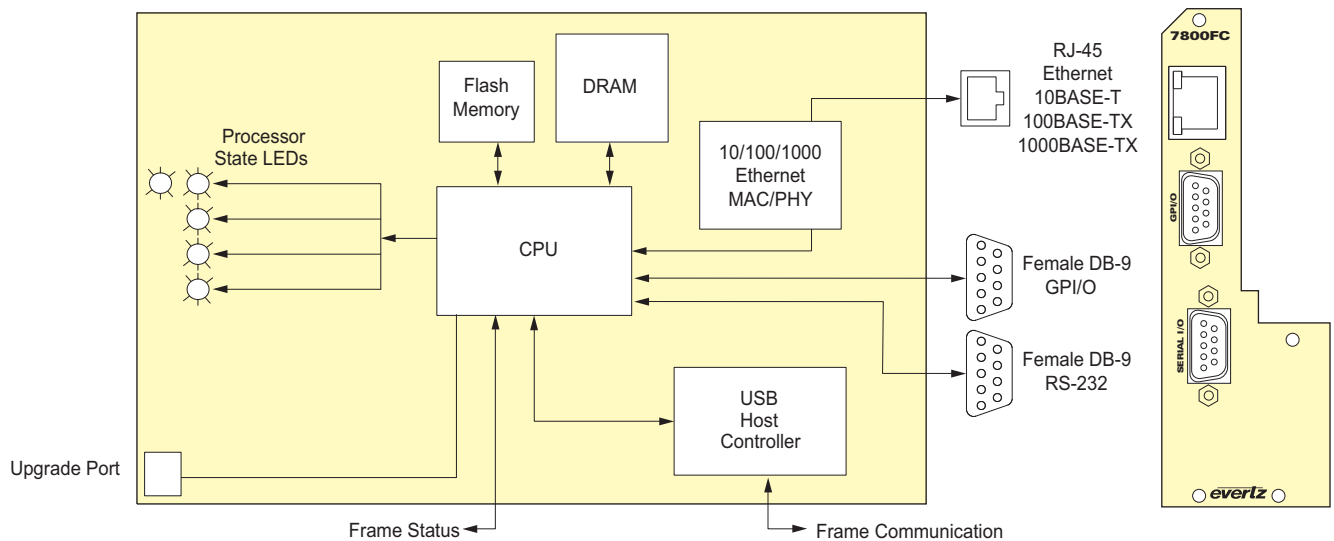


The 7800FC VistaLINK® Frame Controller card provides a single point of access to communicate with VistaLINK® -capable modules. The 7800FC VistaLINK® Frame Controller provides a 10BASE-T/100BASE-TX/1000BASE-TX Ethernet port and communication is facilitated using Simple Network Management Protocol (SNMP).

The 7800FC VistaLINK® Frame Controller handles all SNMP communications between the frame (7800FR) and the network manager (NMS), and serves as a gateway to individual cards in the frame. The 7800FC VistaLINK® Frame Controller also provides an RS-232 serial port interface for customer configurations.

► Features & Benefits

- Complies with IEEE 802.3 10BASE-T, 100BASE-TX and 1000BASE-TX Ethernet standards
- 1000Mb/s Gigabit Ethernet, 100Mb/s Fast Ethernet or 10Mb/s Ethernet data transfer, selected by auto negotiation
- Full-duplex or half-duplex operation, selected by auto-negotiation
- RJ-45 connector for network cable connection
- RS-232 serial control port for configuration
- Card edge LEDs indicate module fault, microprocessor state, activity and link status
- Rear panel LEDs indicate Ethernet link, activity and speed
- Supports "FTP" upgrades for frame-wide firmware upgrades (product specific)
- Includes VistaLINK® PRO (VLPRO-C) module software configuration tool
- Provides frame/chassis status information through VistaLINK® including power supply status, frame status, card insertion/removal counters, 7800FC software version number and LED control
- Provides an onboard web interface to directly control supported modules



► Specifications

| Ethernet: | | Electrical: | | Physical (number of slots): | |
|--------------------|---|-------------|--|-----------------------------|---|
| Network Type: | IEEE 802.3 (10BASE-T) IEEE 802.3u (100BASE-TX) IEEE 802.3ab (1000BASE-TX) | Voltage: | +12V DC | 350FR: | 1 |
| Connector: | RJ-45 | Power: | 8W | 7700FR-C: | 1 |
| | | EMI/RFI: | Complies with FCC Part 15, Class A EU EMC directive | 7800FR: | 1 |
| Serial I/O: | | | | | |
| Standard: | RS-232 | | | | |
| Connector: | Female DB-9 | | | | |
| Baud Rate: | 115,200 | | | | |
| Format: | 8 bits, no parity, 2 stop bits, no flow control | | | | |

► Ordering Information

| 7800FC | VistaLINK® Frame Controller | Enclosure | |
|--------------------------|--|------------------|---|
| Ordering Options | Rear Plate and Fiber Connector must be specified at time of order (Eg: Model +SC +3RU) | 350FR | 3RU Portable Multiframe which holds up to 7 single slot modules |
| Rear Plate Suffix | | 7700FR-C | 3RU Multiframe which holds up to 15 single slot modules |
| +3RU | 3RU Rear Plate for use with 350FR, 7700FR-C or 7800FR Multiframe | 7800FR | 3RU Multiframe which holds up to 15 single slot modules |
| | | 7800FR-QT | 3RU Quiet Multiframe which holds up to 15 single slot modules |

The Complete Solution Provider

