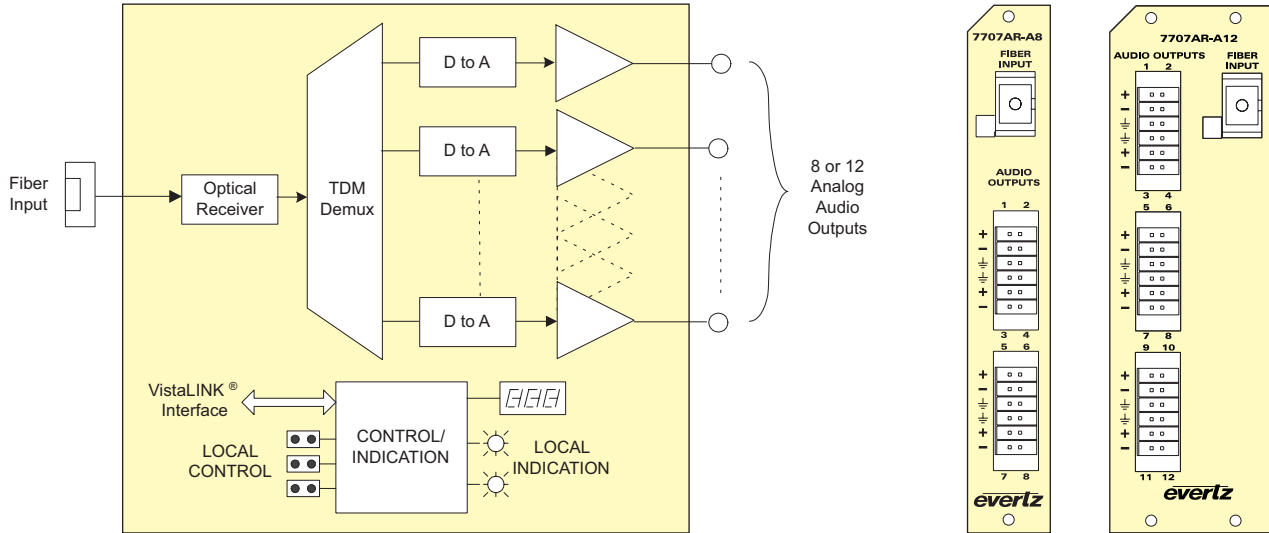


► Features & Benefits

- Eight or twelve professional quality analog audio fiber optic receiver
- Adjustable audio detection for each channel
- Adjustable audio gain for each channel
- Audio monitoring via card-edge headphone jack
- All configuration settings controllable through the card-edge interface, or remotely through SNMP and VistaLINK®
- Wide-band optical input compatible with 1310nm, 1550nm, CWDM, or DWDM transmission wavelengths
- Supports single-mode and multi-mode fiber optic cable (contact factory for multi-mode applications)
- SC/PC, ST/PC, or FC/PC fiber connector options
- Fully hot-swappable from front of frame
- Comprehensive signal and card status monitoring via four digit card edge display or remotely through SNMP and VistaLINK®
- VistaLINK® capability is available when modules are used with the 3RU 7800FR or 350FR frame and a 7700FC VistaLINK® Frame Controller module in slot 1 of the frame



► Specifications

<p>Analog Audio Outputs: Number of Outputs: 7707AR-A8: 8 7707AR-A12: 12 Connectors: Multi-pin Removable Terminal Blocks Output Level: Into High Impedance: +24dBu (max) +23dBu (max) Into 600Ω: +23dBu (max) Frequency Response: ±0.1dB (max, 20Hz to 20kHz) -90dB or 0.003% (max, 20Hz to 20kHz, @ 0dBFS) THD + Noise: -100dB (max, 20Hz to 20kHz, measured channel connected at input) Crosstalk: -100dB (max, 20Hz to 20kHz, measured channel connected at input)</p>	<p>S/N Ratio: 100dB (min) Channel Phase: ±0.5° (max, 20Hz to 20kHz) Output Impedance: 66Ω (nom, differential) Adjustable Gain: -10dB to +10dB (0.5dB increments)</p> <p>Optical Input: Connector: SC/PC, ST/PC, FC/PC female housing Input Wavelength: 1270 to 1610nm Input Power (Max): 0dBm Input Optical Sensitivity: -28dBm</p>	<p>Electrical: Voltage: 12V DC Power: 7707AR-A8: 13.5W (max) 7707AR-A12: 18.5W (max) EMI/RFI: Complies with FCC Part 15, Class A EU EMC Directive</p> <p>Physical (number of slots): 350FR, 7700FR-C, 7800FR 7707AR-A8: 1 slot 7707AR-A12: 2 slots 7701FR: 1 slot</p>
--	---	---

► Ordering Information

7707AR-A8	Eight Channel Analog Audio Fiber Receiver, Demux VistaLINK® Monitoring
7707AR-A12	Twelve Channel Analog Audio Fiber Receiver, Demux VistaLINK® Monitoring

Connector Suffix	
+SC	SC/PC
+ST	ST/PC
+FC	FC/PC

Ordering Options Rear Plate and Fiber Connector must be specified at time of order
 Eg: Model +SC +3RU

Accessories
Fiber Optic Patch Cable
 See CWDM & DWDM Ordering Information Page

Rear Plate Suffix	
+3RU	3RU Rear Plate for use with 350FR, 7700FR-C or 7800FR Multiframe
+1RU	1RU Rear Plate for use with 7701FR Multiframe
+SA	Standalone Enclosure Rear Plate

Enclosures	
350FR	3RU Portable Multiframe which holds up to 7 single slot modules
7700FR-C	3RU Multiframe which holds up to 15 single slot modules
7800FR	3RU Multiframe which holds up to 15 single slot modules
7801FR	1RU Multiframe which holds up to 4 single or 2 dual slot modules
7701FR	1RU Multiframe which holds up to 3 single or dual slot modules
S7701FR	Standalone Enclosure