

7706CWDM

Compact Form Factor Coarse WDM Optical Modules

► Features & Benefits

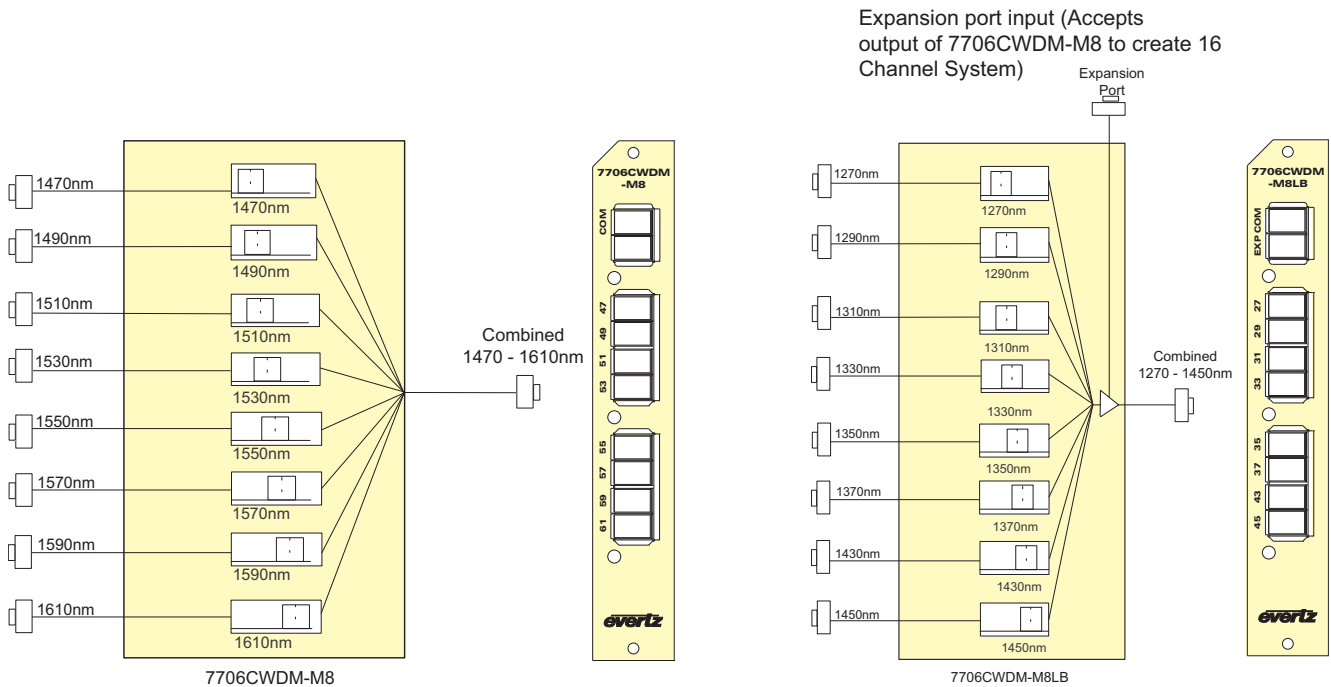
- Bi-directional mux/demux of up to 16 wavelengths in the 1270nm to 1610nm spectrum (ITU-T G.694.2 compliant)
- Expandable from 8 to 16 channel systems
- Passive design for any bit rate
- Low insertion loss to conserve system power
- High optical isolation for low crosstalk
- Compatible with all Evertz series CWDM Mux and Demux (3400CWDM, 3405CWDM, 7705CWDM)
- Compact design occupies only one slot in an Evertz 7700/7800 frame per card module
- LC/UPC and LC/APC connector options
- Fiber protector to prevent connector damage

*7706CWDM to be used ONLY in Single Mode Fiber applications

Applications

- Multi-channel transport of video, audio, data, control in fiber limited applications
- Cost reduction exercises through fewer leased fibers
- Studio and Facility extension/expansion
- STL and TSL links
- Signal aggregation for outdoor and event coverage
- Signal aggregation for security and monitoring

Function	Ordering Information	Description	Slots Occupied
8 Channel CWDM Mux	7706CWDM-M8	8 Channel CWDM Mux (1470nm-1610nm)	1
8 Channel CWDM Demux	7706CWDM-D8	8 Channel CWDM Demux (1470nm-1610nm)	1
16 Channel CWDM Mux	7706CWDM-M8 & 7706CWDM-M8LB	16 Channel CWDM Mux (1270nm-1610nm)	2
16 Channel CWDM Demux	7706CWDM-D8 & 7706CWDM-D8LB	16 Channel CWDM Demux (1270nm-1610nm)	2



The Complete Solution Provider



► Specifications

Optical Input/Output:		Link Loss with Mux and Demux Combination:		Physical (number of slots) 350FR,7700FR-C & 7800FR:	
Connector:	LC/UPC or LC/APC female housing	7706CWDM-8:	< 3dB Maximum Loss	7705CWDM-D8:	1
Wavelength:		7706CWDM-8LB:	< 3dB Maximum Loss	7706CWDM-D8LB:	1
7706CWDM-8:	1470-1610nm	Expansion Port:	< 3dB Maximum Loss	7706CWDM-M8:	1
7706CWDM-8LB:	1270-1450nm	7706CWDM-8 + 7706CWDM-8LB:		7706CWDM-M8LB:	1
Channel Spacing:	20nm		< 3dB (1270nm - 1450nm)		
Passband @ 0.5dB:	> 13nm		< 6dB (1470nm - 1610nm)		
Channel Uniformity:	< 1.5dB				
Isolation Adjacent Channel:					
	> 30dB				
Directivity:	> 50dB				
Fiber Size:	9µm core/125µm overall				
Return Loss:	> 45dB				

► Ordering Information

7706CWDM-M8	8 Channel High Band CWDM Mux (1470nm – 1610nm), LC/UPC
7706CWDM-M8LB	8 Channel Low Band CWDM Mux (1270 - 1450nm), LC/UPC
7706CWDM-D8	8 Channel High Band CWDM Demux (1470nm – 1610nm), LC/UPC
7706CWDM-D8LB	8 Channel Low Band CWDM Demux (1270 - 1450nm), LC/UPC
7706CWDM-M8-AP	8 Channel High Band CWDM Mux (1470nm – 1610nm), LC/APC
7706CWDM-M8LB-AP	8 Channel Low Band CWDM Mux (1270 - 1450nm), LC/APC
7706CWDM-D8-AP	8 Channel High Band CWDM Demux (1470nm – 1610nm), LC/APC
7706CWDM-D8LB-AP	8 Channel Low Band CWDM Demux (1270 - 1450nm), LC/APC

Rear Plate Suffix

+3RU 3RU Rear Plate for use with 350FR, 7700FR-C or 7800FR Multiframe

Fiber Optic Patch Cable

See CWDM & DWDM Ordering Information Page

Enclosures

350FR 3RU Portable Multiframe which holds up to 7 single slot modules
7700FR-C 3RU Multiframe which holds up to 15 single slot modules
7800FR 3RU Multiframe which holds up to 15 single slot modules
7801FR 1RU Multiframe which holds up to 4 single or 2 dual slot modules

Ordering Options Rear Plate and Fiber Connector must be specified at time of order (Eg: Model +3RU)