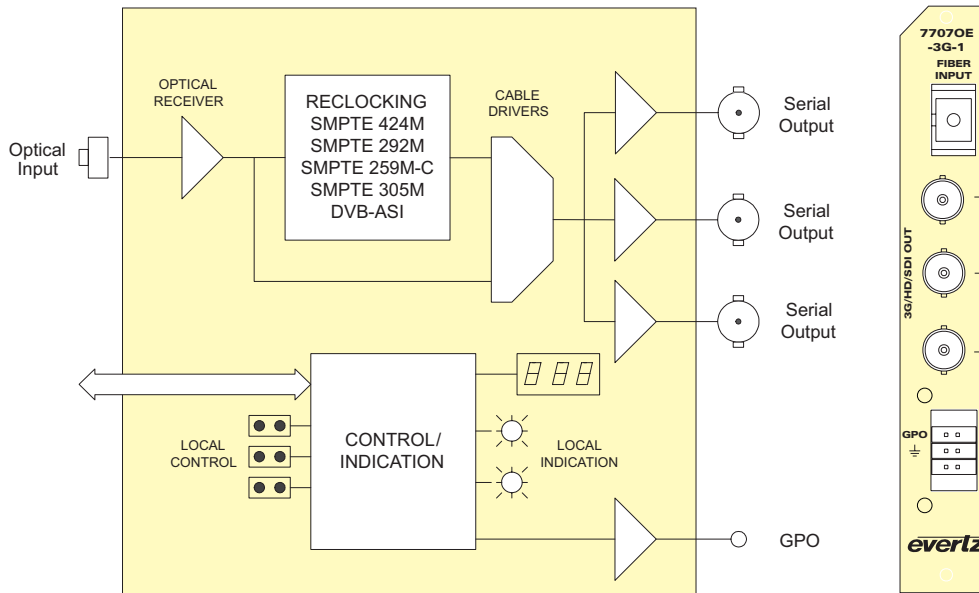




► Features & Benefits

- Supports all SMPTE 424M standards at 2.970 Gb/s
- Supports all SMPTE 292M standards at 1.485Gb/s
- Supports SMPTE 259M-C standards at 270Mb/s
- Supports DVB-ASI (270Mb/s) and SMPTE 305M (SDTi) rates
- Auto rate selection, indication and relocking for SD-SDI/HD/3G data rates from 270Mb/s to 2.970Gb/s
- Selectable non-relock mode for other rates
- Programmable general purpose output (GPO)
- Detection and display of optical input power, and data rate
- Display of received optical power for continuous indication of link integrity
- Wide range optical input (1270nm-1610nm)
- Supports single-mode and multi-mode fiber optic cable (contact factory for multi-mode applications)
- Fully hot-swappable from front of frame
- Comprehensive signal and card status monitoring via four digit card edge display or remotely through SNMP and VistaLINK®
- VistaLINK® capability is available when modules are used with a 3RU frame and a 7700FC VistaLINK® Frame Controller module in slot 1 of the frame
- Occupies one card slot and can be housed in either a 1RU frame which will hold up to 3 modules, a 3RU frame which will hold up to 15 modules, or a standalone enclosure which will hold 1 module



► Specifications

<p>Optical Input: Standards: Reclocked: SMPTE 424M, SMPTE 292M, SMPTE 259M-C, SMPTE 305M, DVB-ASI Non-Reclocked: Any bi-level signal type at rates of 270Mb/s to 2.970Gb/s Connector: Female SC/PC, ST/PC or FC/PC Wavelength: 1270nm-1610nm Optical Sensitivity: Standard: -21dBm High Sensitivity (-H): -28dBm Max. Input Power: Standard: -1dBm High Sensitivity (-H): -8dBm</p>	<p>Serial Video Outputs: Number of Outputs: 3 Per Card (all DVB-ASI compliant) Connectors: BNC per IEC 61169-8 Annex A Impedance: 75Ω (nominal) Signal Level: 800mV(nominal) DC Offset: 0V ±0.5V Rise and Fall Time: < 135ps (HD/3G) < 900ps (SD) Overshoot: < 10% of amplitude Return Loss: > 15dB to 1.5GHz > 10dB to 3GHz Alignment Jitter: < 0.2 UI (Reclocked) to 1.485Gb/s < 0.3 UI (Reclocked) to 2.97Gb/s</p>	<p>Electrical: Voltage: +12V DC Power: 8W EMI/RFI: Complies with FCC Part 15, Class A EU EMC Directive</p>
	<p>General Purpose Outputs: Type: Dry contact relay closure (normally open) Number of Outputs: 1 Connector: Multi-pin removable terminal block Max Current: 500mA @ 12V</p>	<p>Physical: 350FR: 1 7700FR-C: 1 7800FR: 1</p>

► Ordering Information

7707OE-3G-1	3G/HD/SD Optical to Electrical Converter with 3 BNC outputs
7707OE-3G-1-H	3G/HD/SD Optical to Electrical Converter, High Sensitivity with 3 BNC outputs

Ordering Options Rear Plate and Fiber Connector must be specified at time of order
Eg. Model +3RU +SC

Rear Plate Suffix	
+3RU	3RU Rear Plate for use with 350FR, 7700FR-C or 7800FR Multiframe
+1RU	1RU Rear Plate for use with 7701FR Multiframe
+SA	Standalone Enclosure Rear Plate

Connector Suffix	
+SC	SC/PC
+ST	ST/PC
+FC	FC/PC

Accessories
Fiber Optic Patch Cable
See CWDM & DWDM Ordering Information Page

Enclosures	
350FR	3RU Portable Multiframe which holds up to 7 single slot modules
7700FR-C	3RU Multiframe which holds up to 15 single slot modules
7701FR	1RU Multiframe which holds up to 3 single or dual slot modules
7800FR	3RU Multiframe which holds up to 15 single slot modules
7801FR	1RU Multiframe which holds up to 4 single or 2 dual slot modules
S7701FR	Standalone enclosure