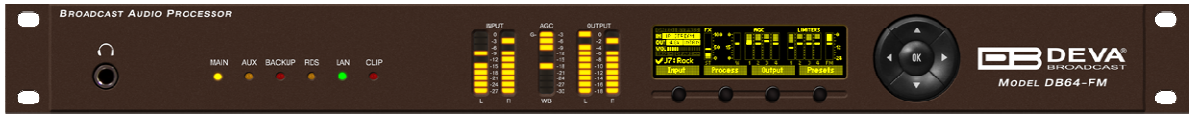




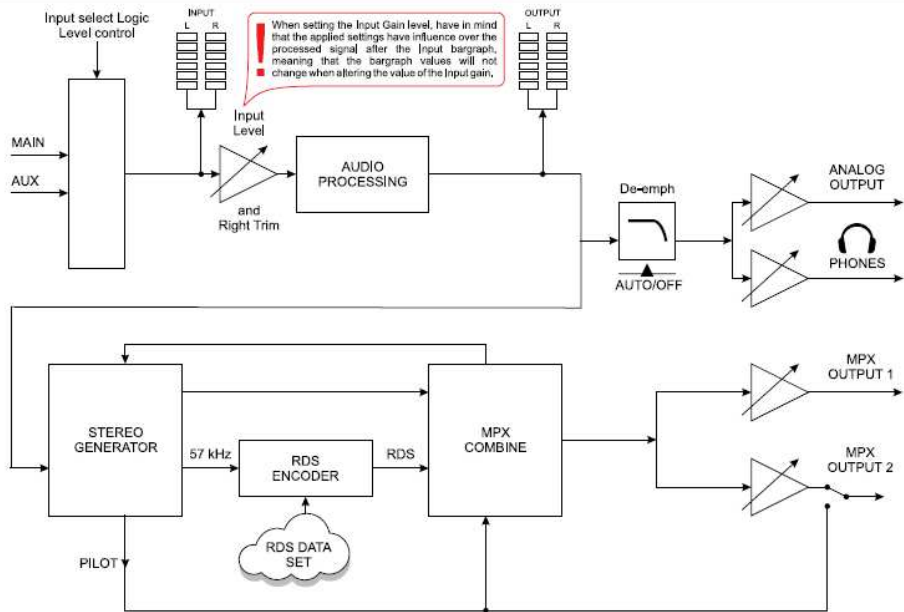
オーディオプロセッサ DB64-FM

DB64-FMはマルチバンドDSP技術を採用したオーディオプロセッサです

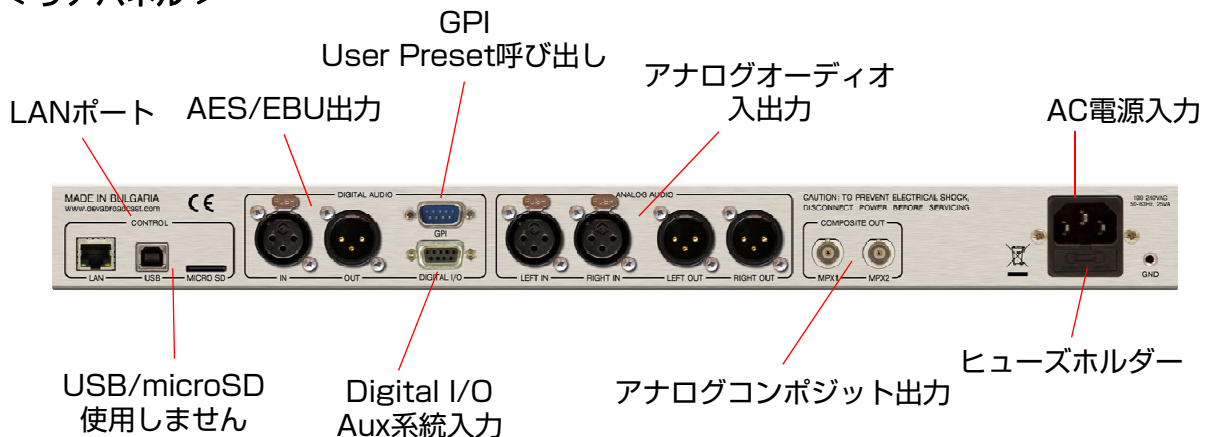


- ◇ DB64-FMは4バンドオーディオプロセッサで、GATE、HPF、AGC、BASS Enhancer、4バンドEQ、マルチバンドリミッター・コンプレッサーといった音作りに必要な標準的な機能を装備。
- ◇ DSPベースで低遅延を実現。
- ◇ Webブラウザ経由で直感的なGUIによるコントロールが可能。
- ◇ 2系統のコンポジット出力の他にアナログ/デジタル出力を装備しているので、FM/AMラジオ放送だけでなく、radiko等のインターネットラジオ等での利用にも最適。

PROCESSING PATH



< リアパネル >



< 仕様 >

ANALOG AUDIO INPUT	
Connectors	Main - Two XLR, EMI suppressed, electronically balanced; Auxiliary - DB9, EMI suppressed, electronically balanced
Configuration	Stereo
Input level (0 dBFS)	Software selectable -8 dBu to +24 dBu peak
Impedance	Jumper selectable 600Ω / >10kΩ
A/D Conversion	24 bit, 48 kHz sample rate; Differential inputs
ANALOG AUDIO OUTPUT	
Connectors	Two XLR, EMI suppressed, electronically balanced
Configuration	Stereo. Software selectable flat, pre-emphasized or de-emphasized
Output Level (0 dBFS)	Software selectable -12 dBu to +24 dBu peak into $\geq 600\Omega$ load
Source Impedance	20Ω
Load Impedance	$\geq 600\Omega$, balanced/unbalanced
Signal-to-Noise	≥ 110 dB unweighted (Bypass mode, digital input, flat, 20Hz-15kHz bandwidth, referenced to +12 dBu output level)
Distortion	≤ 0.01 THDN (Bypass mode, digital input, flat, 20Hz-15kHz bandwidth, referenced to +12 dBu output level)
D/A Conversion	24 bit, 192 kHz sample rate; Differential outputs
DIGITAL AUDIO INPUT	
Connectors	Main - XLR, EMI suppressed, transformer balanced and floating; 110Ω impedance; Auxiliary - DB9, EMI suppressed, transformer balanced and floating; 110Ω impedance
Configuration	Stereo AES3 standard, up to 24 bit resolution
Sampling Rate	22 kHz to 192 kHz
Input Gain	-20 dB to 20 dB, referenced to 0 dBFS, software selectable
DIGITAL AUDIO OUTPUT	
Connector	XLR, EMI suppressed, transformer balanced and floating; 110Ω impedance
Configuration	Stereo AES3 standard, 24 bit resolution. Software selectable flat, pre-emphasized or de-emphasized
Sample Rate	Internal - 32, 44.1, 48, 88.2, 96, 176.4, 192 kHz. Externally synced to Main AES3 digital input at 32 to 192 kHz. Software selectable.
Word Length	24 bit
Output Reference Level	-20 to 0 dBFS software selectable
COMPOSITE BASEBAND OUTPUT	
Connectors	BNC unbalanced, chassis floating, EMI suppressed
Configuration	Two outputs. Independent level control. MPX+MPX, MPX+PILOT or BYPASS mode
Source impedance	75Ω
Load impedance	50Ω or greater
Output level	-18dBu to +18dBu
Pilot level	0% to 15%
D/A conversion	24 bit, differential
SNR	≥ 80 dB (Bypass mode, flat, 20Hz - 15kHz bandwidth, Digital input referenced to -10dBFS, unweighted)
THD	$< 0.01\%$ (Bypass mode, flat, 20Hz - 15kHz bandwidth, Digital input referenced to -10dBFS, unweighted)
Stereo Separation	≥ 60 dB
Crosstalk	≥ 70 dB
Pilot protection	≥ 90 dB relative to 9% pilot injection, ± 250 Hz
38 kHz suppression	≥ 80 dB (referenced to 100% modulation)
REMOTE ACCESS INTERFACE	
Configuration	TCP/IP via USB or Ethernet interface
USB Connector	USB type B connector
Ethernet Connector	Female RJ45 shielded connector for 10/100 Mbps CAT5 ethernet networks
REMOTE CONTROL INTERFACE (GPI)	
Connector	DB-9 male
Configuration	Eight LED optocoupler, current limited cathode inputs. Anodes are connected to VCC internally.
Control	Selects corresponding user preset if connected to GND
POWER	
Voltage	100-240 VAC, 50-60 Hz, 30VA
Connector	IEC, Fused and EMI-suppressed. Detachable 3-wire power cord supplied
ENVIRONMENTAL	
Operating Temperature	0° to 50°C / 32° to 122°F
Humidity	0-95% RH, non-condensing
SIZE AND WEIGHT	
Dimensions (W;H;D)	483 x 44 x 180 mm / 19 x 1.875 x 7"
Shipping Weight	540 x 115 x 300 mm / 2.6kg

※本製品の仕様は予告無く変更する場合があります。

株式会社テクノハウス
〒105-0022 東京都港区海岸2-7-70
Tel:03-5419-1567 Fax:03-5419-1570
<https://www.technohouse.co.jp>